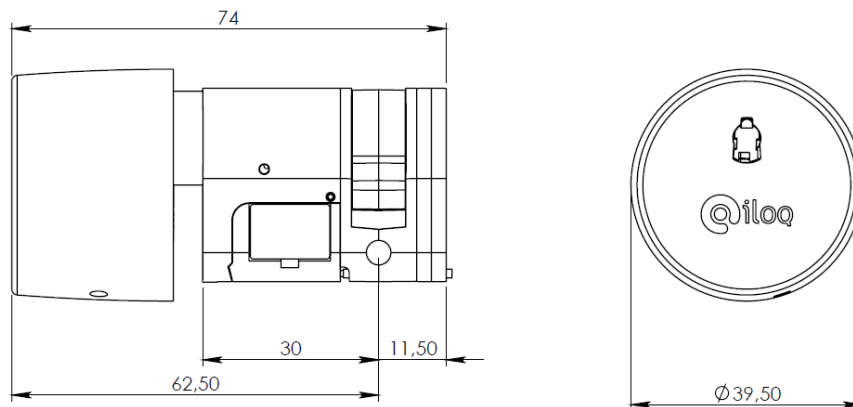


iLOQ D10S.100, D10S.110 DIN EUROPROFILE HALF-CYLINDER



Features: iLOQ - Digital Identification. No Batteries.

The award winning iLOQ S10 locking system offers advanced security and convenient access management for master-key locking environments. The unique, patented, self-powered iLOQ D10S lock cylinder is powered by harvesting electricity from inserting of the iLOQ K10S key. Being self-powered, the iLOQ D10S cylinder eliminates work, costs, wastes and harms associated with battery powered or cabled solutions. As no batteries and no electric wiring are required, the locks and keys are easy to install and maintain, and it is an environmentally friendly "green" solution. The communication between the lock and the iLOQ K10S key is strongly encrypted using standardized powerful SHA-1 encryption methods. The mechanically identical shape and modular structure of the iLOQ D10S cylinders enables flexible stocking and fast delivery.

Installation

The iLOQ D10S lock cylinder is compatible with DIN 18252 Europrofile cylinder standards enabling easy installation to existing Euro profile cylinder environments. The iLOQ D10S cylinder body is 30mm long and can be easily extended by rotating 5mm or 10mm extension pieces between the cylinder body and a cam module. The patent pending modular extension solution enables flexible stocking and easy length modifications on an installation site. The modular system allows also different cylinder combinations like half-, knob- and double cylinders.

Technical Data

- Programmable self-powered electromechanic lock cylinder
- Compatible with DIN 18252 Europrofile cylinder standard
- Cylinder length 30mm, extendable with 5mm and 10mm extension pieces
- Secured using powerful challenge response authentication (SHA-1)
- Programmed using a iLOQ P10S Programmer
- Blacklist for individual lost keys
- Access group list for key accesses
- Combined blacklist and access group capacity 128 entries
- Audit trail capacity 512-572 events
- Pre-blacklisting of lost key using new replacing key
- Temperature range -20°C...+80°C
- Optional RTC (real time clock) enabling time restricted access as well as time stamped audit trail

Product versions

Product	Code
iLOQ DIN Europrofile Half-cylinder (30mm)	D10S.100.ZM
iLOQ DIN Europrofile Half-cylinder (30mm) with RTC (real-time clock)	D10S.110.ZM Note 1

Note 1), Optional iLOQ A00.5 real-time clock generates time stamps to the audit trail events. It also enables time limited key access. The real-time clock device can be retrofitted to the iLOQ D10S.100 version by opening the cylinder knob cover.